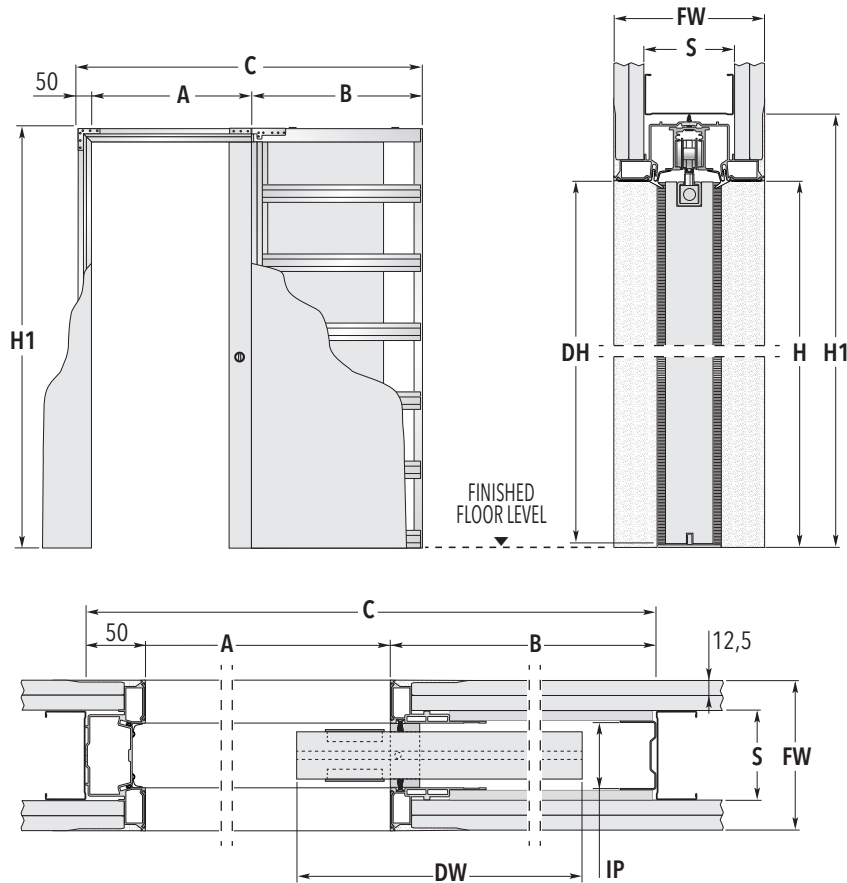


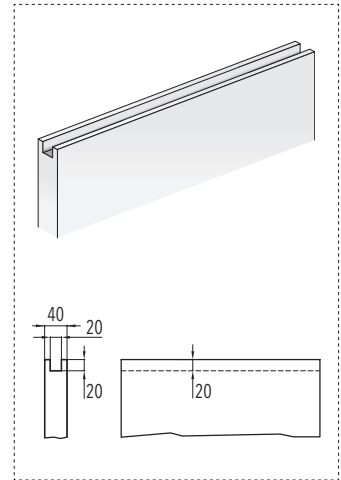
ECLISSE SYNTESIS® LINE

STUD WALL



WARNING

Door panels for ECLISSE SYNTESIS® FLUSH sliding pocket door systems must be milled along the upper and lower profiles, as shown below (milling not required on glass doors).



SYSTEMS FOR SINGLE DOOR - Measures related to Italian standards, other dimensions available

PASSAGE SIZE A x H	OVERALL DIMENSIONS		DOOR PANEL*	
	B	C x H1	DW	DH
600 x 2000/2100	750	1393 x 2060/2160	615 ÷ 635	1992/2092
700 x 2000/2100	850	1593 x 2060/2160	715 ÷ 735	1992/2092
800 x 2000/2100	950	1793 x 2060/2160	815 ÷ 835	1992/2092
900 x 2000/2100	1050	1993 x 2060/2160	915 ÷ 935	1992/2092
1000 x 2000/2100	1150	2193 x 2060/2160	1015 ÷ 1035	1992/2092

FINISHED WALL = FW	STUDWORK = S	INTERNAL PASSAGE = IP
100 →	75 - with one plasterboard layer	54
125 →	75 - with two plasterboard layers	54
150 →	100 - with two plasterboard layers	54

Dimensions are given in mm.

NON STANDARD SIZES	NOTES	ACCESSORIES
<ul style="list-style-type: none"> ▶ Passage width FW 100: 600÷1000 mm FW 125: 600÷1300 mm FW 150: 600÷2000 mm ▶ Passage height FW 100: 1000÷2100 mm FW 125: 1000÷2700 mm FW 150: 1000÷3000 mm ▶ Half sizes need bespoke door panels (e.g. A=650 mm). 	<ul style="list-style-type: none"> ▶ The passage A is reduced by 7 mm. ▶ For A>1000 mm and H>2150 mm only available wall thickness 125 and 150 mm. ▶ Max door thickness 40 mm (including any glass holder for glazed door). ▶ Max. door weight 100 kg (150 kg on request). ▶ Install at finished floor level. * Listed measures refer to wooden door panels only. ▶ Due to system's productive characteristics and for safety reasons, ECLISSE recommends the door panel protrudes 80 mm. ▶ If needed, the adjustable door stop allows to modify the real passage size. ▶ In order to ensure that the door disappear completely, a milling is required. ▶ The milling for the door guide must have the following dimensions: 7 x 15 mm. 	<ul style="list-style-type: none"> ▶ ECLISSE SYNTESIS® BASEBOARD ▶ ECLISSE BIAS® ▶ ECLISSE BIAS®DS ▶ Anti-warp profile ▶ ECLISSE PUSH&PULL S