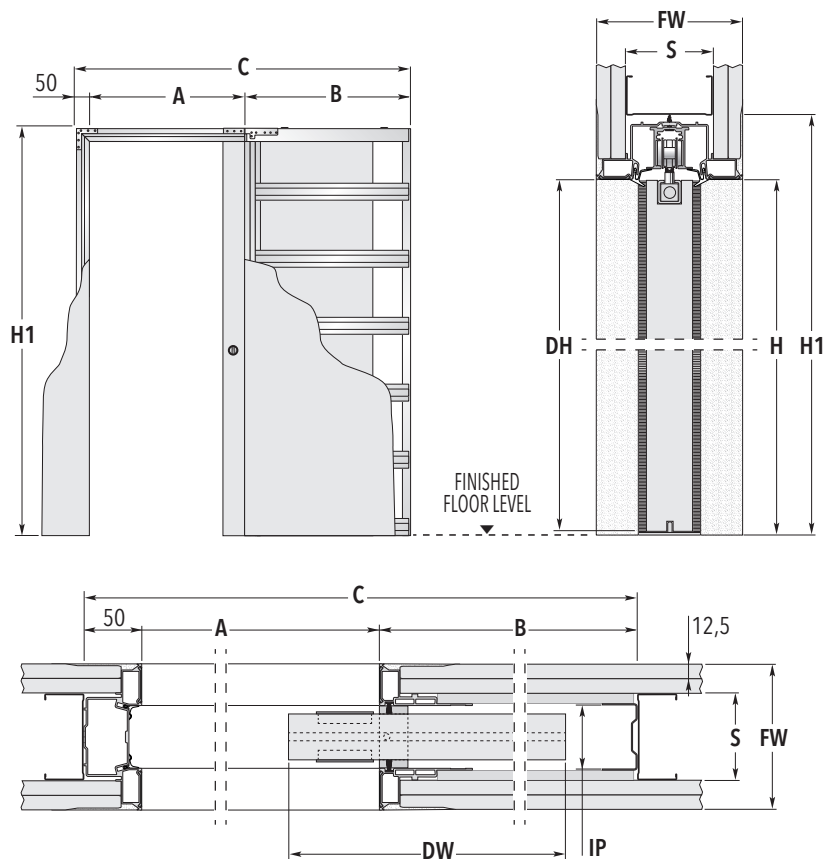


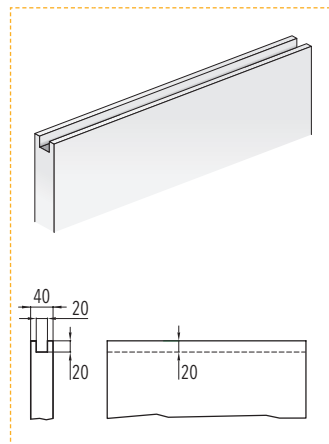
# ECLISSE SYNTESIS® LINE

## STUD WALL



### WARNING

Door panels for ECLISSE SYNTESIS® FLUSH sliding pocket door systems must be milled along the upper and lower profiles, as shown below (milling not required on glass doors).



### SYSTEMS FOR SINGLE DOOR - Measures related to Italian standards, other dimensions available

PASSAGE SIZE A x H	OVERALL DIMENSIONS B C x H1	DOOR PANEL* DW DH
600 x 2000/2100	750 1393 x 2060/2160	615 ÷ 635 1992/2092
700 x 2000/2100	850 1593 x 2060/2160	715 ÷ 735 1992/2092
800 x 2000/2100	950 1793 x 2060/2160	815 ÷ 835 1992/2092
900 x 2000/2100	1050 1993 x 2060/2160	915 ÷ 935 1992/2092
1000 x 2000/2100	1150 2193 x 2060/2160	1015 ÷ 1035 1992/2092

FINISHED WALL = FW	STUDWORK = S	INTERNAL PASSAGE = IP
100 →	75 - with one plasterboard layer	54
125 →	75 - with two plasterboard layers	54
150 →	100 - with two plasterboard layers	54

Dimensions are given in mm

### NON-STANDARD SIZES

- ▶ Passage width  
FW 100: 600÷1000 mm  
FW 125: 600÷1300 mm  
FW 150: 600÷2000 mm
- ▶ Passage height  
FW 100: 1000÷2100 mm  
FW 125: 1000÷2700 mm  
FW 150: 1000÷3000 mm
- ▶ Half sizes require bespoke door panels (e.g. A=650 mm).

### NOTES

- ▶ Passage width A is reduced by 7 mm.
- ▶ For A>1000 mm and H>2150 mm only FW 125 and FW 150 are available.
- ▶ Max. door thickness 40 mm (including any glass holder for glazed door).
- ▶ Max. door weight 100 kg (150 kg on request).
- ▶ Due to production characteristics of the system and for safety reasons, ECLISSE recommends the door protrudes by 80 mm.
- ▶ If needed, the adjustable door stop allows to modify the real passage size.
- ▶ For the door to disappear completely, milling is required.
- ▶ The milling for the door guide must have the following dimensions: 7x15 mm.
- ▶ Install at finished floor level.
- \* Listed measures refers to wooden door panels only.

### ACCESSORIES

- ▶ ECLISSE BIAS®
- ▶ ECLISSE BIAS® DS
- ▶ ECLISSE PUSH&PULL S
- ▶ Anti-warp profile
- ▶ ECLISSE SYNTESIS® BASEBOARD